

BRONZE CAPILLARY GATE VALVE [MBLXMBL]



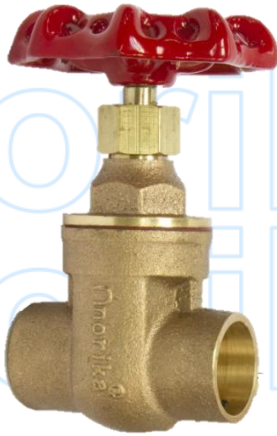
COMPLY WITH BS5154:1991

BSEN1254-1:1998

AS/NZS4020:2005

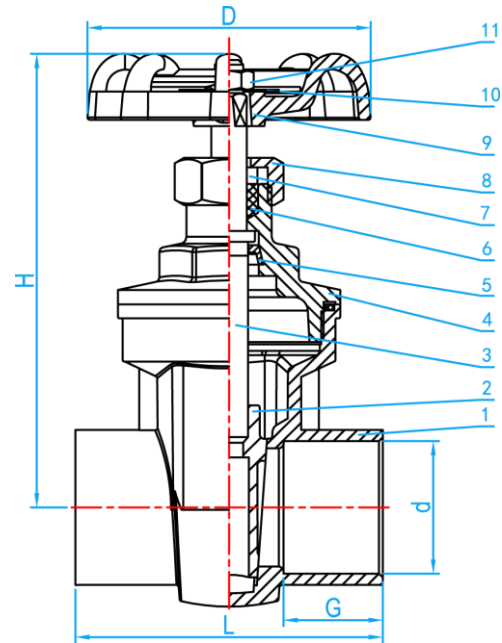
BS EN 1982:2008

BS12165:2016

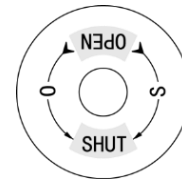


COMPONENT PARTS

ITEMS	PARTS	MATERIAL
1	Body	Bronze
2	Disc	DZR Brass
3	Stem	15~50mm: DZR Brass 65~80mm: AISI304
4	Bonnet	DZR Brass
5	Straining Ring	Brass
6	Packing Nut	Expanded Graphite
7	Gland	AISI304
8	Lock Nut	Brass
9	Hand Wheel	HT150
10	Name Plate	Aluminum Plate
11	Wheel Nut	AISI304



CROSS SECTIONAL VIEW



11. Name Plate

STANDARD SPECIFICATIONS

Working Pressure	200 Psi
Applicable Medium	Water

DIMENSIONS

SKU	SIZE (mm)	L (mm)	H (mm)	D (mm)	d (mm)	G (mm)	WEIGHT (kg)	PCS/CTN
GVMBLN015	15	43 ± 1	76	55	15.06	12	0.228	72
GVMBLN020	20	51 ± 1	85	55	22.07	15.5	0.315	48
GVMBLN025	25	64 ± 1	95	60	28.07	20.5	0.488	32
GVMBLN035	35	75 ± 1	113	72	35.09	24	0.768	24
GVMBLN042	42	83 ± 1	124	72	42.09	27.2	0.995	18
GVMBLN050	50	97 ± 1	146	80	54.09	33	1.593	12
GVMBLN065	65	118 ± 1	193	100	67.1	37	2.982	6
GVMBLN080	76	120 ± 1	200	110	76.1	38	3.500	6